

RICOMAN[®]

LED PANEL Fitting INSTALLATION INSTRUCTIONS



PLEASE READ THESE INSTRUCTIONS CAREFULLY BEFORE INSTALLATION AND LEAVE
A COPY WITH THE END USER FOR FUTURE REFERENCE.

SAFETY INFORMATION – We recommend that luminaires be installed by a fully qualified and competent electrician who understands building regulations and the current IEE wiring regulations. The light source contained in this luminaire shall only be replaced by the manufacturer or a qualified professional.

Before commencing any installation or maintenance work, ensure that the electricity is switched off at the mains.



IMPORTANT USER INFORMATION

Please install and use strictly in accordance with these instructions. Make sure that you have all the tools and equipment to complete the installation safely and correctly. Improper installation could cause harm to your property and/or person and void your warranty.

It is the installer's responsibility to consider fire and safety risks and take appropriate precautions.

PRE INSTALLATION INSTRUCTIONS & GUIDELINES

- Ensure the supplied LED driver is used to connect to the AC input.
- Do not disassemble or amend the structure of the luminaire as this can be dangerous and would void your warranty.
- The luminaire must be installed on to a ceiling which is firm enough to hold the weight of more than five times of the fitting itself.
- The luminaire must not be installed above hot objects such as ovens to avoid damage to the fitting.
- Ensure there is adequate space for ventilation around the fitting.
- The space height between the ceiling and the roof must be higher than 20mm above the height of the fitting.
- Ensure that all electrical connections are tight with no loose strands.
- **Do not** place the driver or emergency pack (if used) on top of the panel

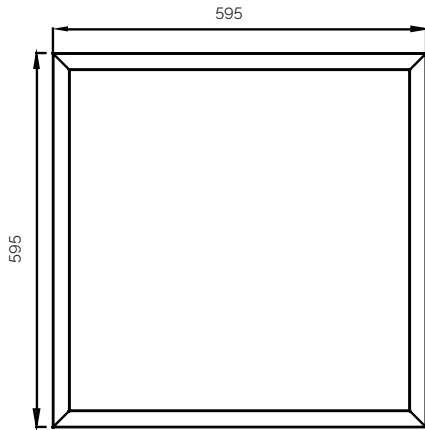
LED Panel Fitting

INSTALLATION STEPS

Before following these steps please ensure you have read and adhered to the guidelines and information overleaf.

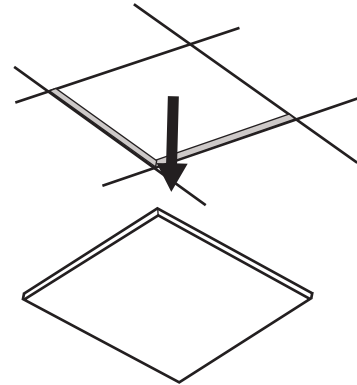
STEP 1

Remove the product from the box and inspect it for any damage. If the luminaire is in a good condition, proceed with the next steps.



STEP 2

For installations in suspended ceilings, remove the relevant ceiling tile.
(For other mounting methods see the instructions in the accessory packs.)



STEP 3

Connect the LED driver to the mains supply then connect the lead from the LED driver to the Panel. The LED driver can be positioned on top of an adjacent ceiling tile.



ENVIRONMENTAL PROTECTION

Waste Electrical & Electronic Equipment Regulations (WEEE) requires that any of our products showing this marking must not be disposed of with other household or commercial waste. To prevent possible harm to the environment or human health from uncontrolled waste disposal, please separate any such product from other waste types and recycle it responsibly at your local facilities. Check with your Local Authority, Recycling Centre or retailer for recycling advice.

WARRANTY

This product is in warranty in the UK for a period of 5 year from the date of purchase. The guarantee is invalid in the case of improper use, installation, tampering, removal of the Q.C. date label, installation in an improper working environment or installation not according to the current edition of the IEE Wiring Regulations. Should this product fail during the warranty period, it will be replaced free of charge, subject to the aforementioned conditions and return of the faulty unit. We do not accept responsibility for any installation costs associated with the replacement of this product. Your statutory rights are not affected.