

Alphard Product Datasheet

Surface mounted architectural halo bulkhead

Product Data

Warranty	5 years
Applications	Interior / Exterior
Certification(s)	CE, RoHS

Physical Data

Colour Finish	Black as standard, white option
Luminaire Fixing	Surface mounted
Construction Material	Cast aluminium
Diffuser Type	TPa rated
Unit Weight (Kg)	2.50

Electrical Data

Voltage Range	AC220-240V
Power Factor	>0.95
Inrush Current	<60A
Running Current	DC700mA
Protection Class IEC	Class I

Performance Data

Wattage	24W
Efficacy	~85 Lm/W
Operating Temperature	-20°C to +45°C (0°C to 40°C for emergency)
Beam Angle	120°
Operating Hours	>50000
CRI	>83 Ra
IP Rating	IP65
IK Rating	IK10
Macadam Ellipse	≤4 sdcM
L70 B50	70,000 hours
L80 B50	50,000 hours
L90 B50	25,000 hours
LEDs	Epistar (2-3 bin)

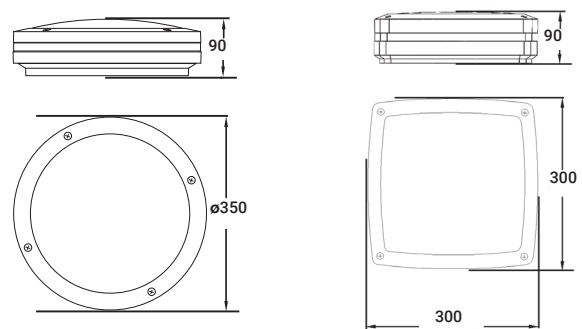
Optimal light distribution, side light emitted



Part Codes

	Shape	°Kelvin as standard	Lumens
R181101	Round	5000K	2038
R181301	Square	4000K	1920

Dimensions (mm)

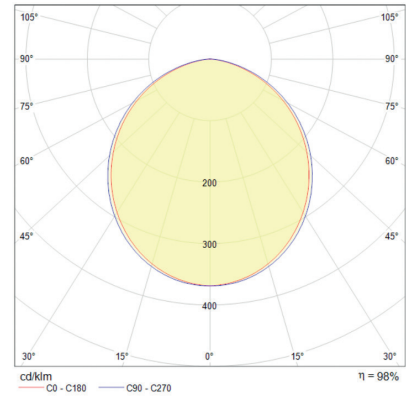


Alphard Family

Part Codes: R181101 (Round), R181301 (Square)

Suffix	Option	
/4K	4000K colour temp	1 st add 4000K suffix (5000K standard for round)
/WT	White body	2 nd add white body suffix (only for the round)
/DH	Mains dimming	} 3 rd add dimming suffix
/DD	DALI dimming	
/DL	0-10V dimming	
/DSI	DSI dimming	
/MW	Sensor	4 th add integrated microwave sensor suffix
/E	Emergency	5 th add integrated emergency suffix

Light Distribution:



Example: **R181101/4K//MW/E**
Alphard Round in 4000K with integrated emergency and microwave sensor

